



## PRODUCT SPECIFICATION

### GENERAL

|                                  |                         |                        |  |
|----------------------------------|-------------------------|------------------------|--|
| <b>FINISH:</b>                   | Bronze Plated           | <b>CABLE LENGTH:</b>   | Not Applicable                               |
| <b>MAIN MATERIAL:</b>            | Metal - Zinc            | <b>GROSS WEIGHT:</b>   | 1.21 (kg)                                    |
| <b>DIMENSIONS:</b>               | H:660mm W:110mm D: 83mm | <b>CLASS:</b>          | CE (Class I)                                 |
| <b>INSTALLATION ORIENTATION:</b> | Wall Mount - Vertical   | <b>IP RATING:</b>      | IP20   |
| <b>CUT OUT HOLE:</b>             | Not Applicable          | <b>BATHROOM ZONE:</b>  | Zone 3                                       |
| <b>RECESS DEPTH:</b>             | Not Applicable          | <b>VOLTAGE:</b>        | Mains 230 (V)                                |
| <b>FIRE RATING:</b>              | Not Applicable          | <b>PRODUCT F MARK:</b> | Suitable for mounting on flammable materials |

### LAMP

|                             |                |                                   |                |
|-----------------------------|----------------|-----------------------------------|----------------|
| <b>LIGHT SOURCE:</b>        | E27/ES         | <b>MACADAM ELIPSE:</b>            | Not Applicable |
| <b>MAXIMUM WATTAGE:</b>     | 60W Max        | <b>UGR:</b>                       | Not Applicable |
| <b>MAXIMUM LAMP LENGTH:</b> | 150mm          | <b>BEAM ANGLE:</b>                | Not Applicable |
| <b>LAMP INCLUDED?</b>       | No             | <b>TILT ADJUSTMENT ANGLE:</b>     | Not Applicable |
| <b>LUMINOUS FLUX:</b>       | Lamp Dependent | <b>ROTATION ADJUSTMENT ANGLE:</b> | Not Applicable |
| <b>COLOUR TEMP:</b>         | Lamp Dependent | <b>AVERAGE LIFESPAN:</b>          | Lamp Dependent |
| <b>CRI:</b>                 | Lamp Dependent | <b>L70:</b>                       | Not Applicable |
| <b>R9:</b>                  | Lamp Dependent |                                   |                |

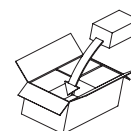
### ELECTRICAL

|                               |                |                                  |                |
|-------------------------------|----------------|----------------------------------|----------------|
| <b>SWITCHED:</b>              | No             | <b>SUPPLY FREQUENCY:</b>         | Not Applicable |
| <b>DIMMABLE:</b>              | Yes            | <b>DRIVER / BALLAST VOLTAGE:</b> | Not Applicable |
| <b>DIMMING METHOD:</b>        | Lamp Dependent | <b>DRIVER AVERAGE LIFESPAN:</b>  | Not Applicable |
| <b>DRIVER OUTPUT CURRENT:</b> | Not Applicable | <b>EFFICACY:</b>                 | Lamp Dependent |
| <b>DRIVER OUTPUT VOLTAGE:</b> | Not Applicable | <b>DRIVER INCLUDED?</b>          | Not Applicable |

## ADDITIONAL INFORMATION



SHADE SOLD SEPARATELY

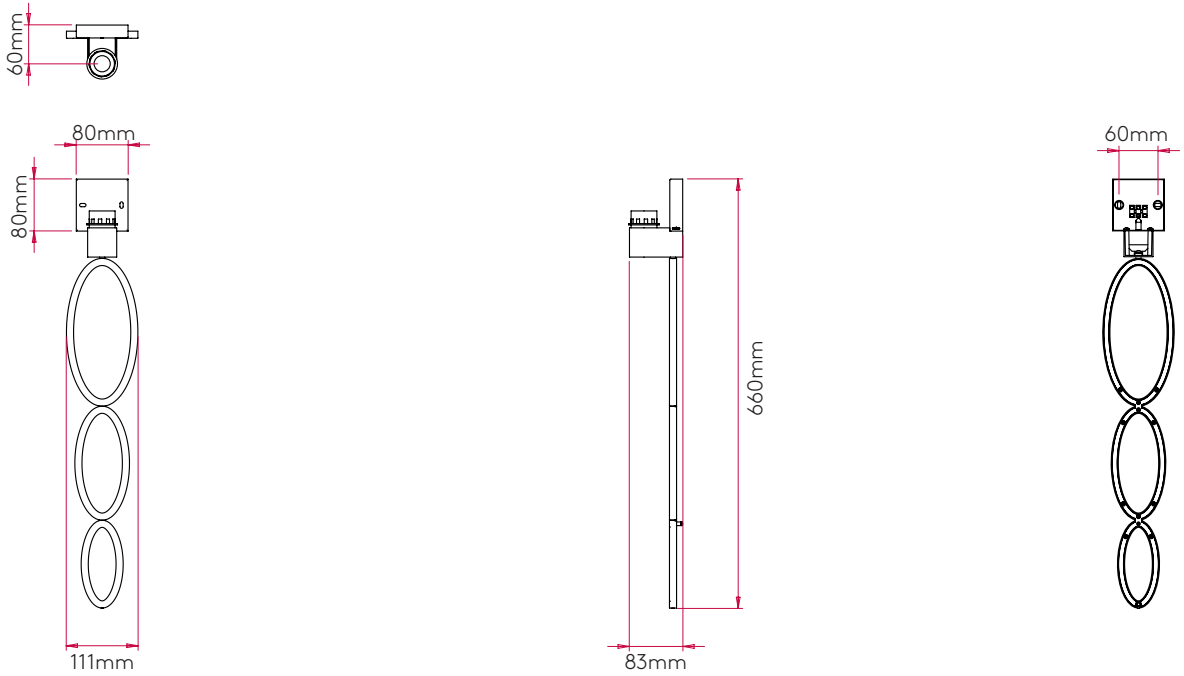


BOX QUANTITY X6

# PRODUCT ELEVATIONS

---

## WITHOUT SHADE



## WITH SHADE

