

MITSU SWING ARM

astro

GENERAL

LOCATION:	Interior
CLASS:	CE (Class I)
IP RATING:	IP20
BATHROOM ZONE:	Zone 3
VOLTAGE:	Mains 230V
INSTALLATION ORIENTATION:	Wall Mount
MAIN MATERIAL:	Metal - Mild Steel
DIMENSIONS:	H: 218mm W: 173mm D: 406mm Ø: 110mm
CUT OUT HOLE:	Not Applicable
RECESS DEPTH:	Not Applicable
FIRE RATING:	Not Applicable
CABLE LENGTH:	Not Applicable
GROSS WEIGHT:	To Be Advised

LAMP

LIGHT SOURCE:	LED E27/ES
MAXIMUM WATTAGE:	12W MAX
LAMP INCLUDED:	No
MAXIMUM LAMP LENGTH:	125mm
LUMINOUS FLUX:	Lamp Dependent
COLOUR TEMP:	Lamp Dependent
CRI:	Lamp Dependent
R9:	Not Applicable
MACADAM ELLIPSE:	Not Applicable
TILT ADJUSTABLE ANGLE:	90°
ROTATION ADJUSTABLE ANGLE:	330°
AVERAGE LIFESPAN:	Lamp Dependent
L70:	Not Applicable
BEAM ANGLE:	Not Applicable

ELECTRICAL

SWITCHED:	Yes
DIMMABLE:	No
DIMMING METHOD:	Not Applicable
DRIVER INCLUDED:	Not Applicable
DRIVER OUTPUT CURRENT:	Not Applicable
DRIVER OUTPUT VOLTAGE:	Not Applicable
SUPPLY FREQUENCY:	Not Applicable
DRIVER/BALLAST VOLTAGE:	Not Applicable
DRIVER AVERAGE LIFESPAN:	Not Applicable
EFFICACY:	Not Applicable

ADDITIONAL INFORMATION

SHADE INCLUDED:	Shade Sold Separately
SHADE MATERIAL:	Not applicable
F MARK:	Suitable for mounting on flammable materials



CODE: 1394001 (8404)
FINISH: MATT NICKEL



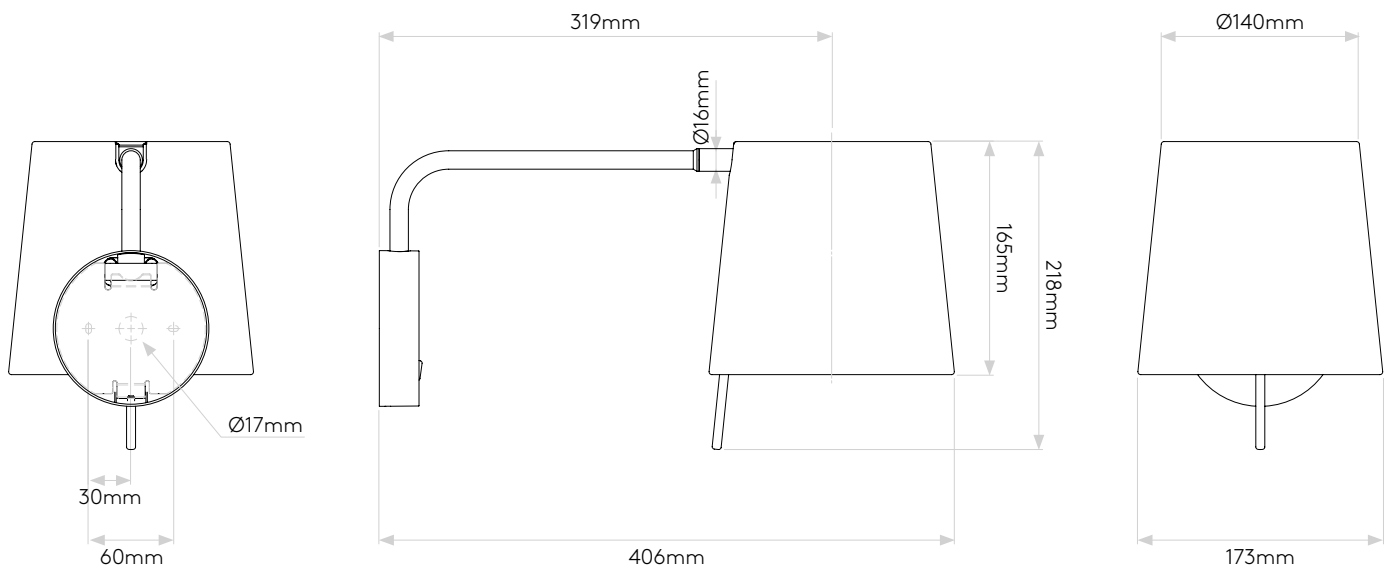
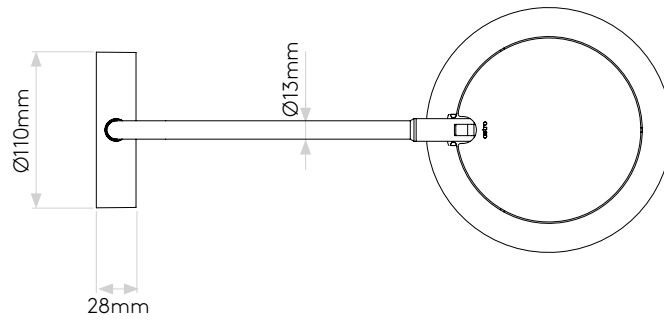
CODE: 1394002 (8405)
FINISH: BRONZE

TO MAINTAIN THIS PRODUCT TO ITS BEST CONDITION, PLEASE VIEW OUR CARE AND CLEANING GUIDE ON THE SUPPORT SECTION OF THE ASTRO WEBSITE.

Pour entretenir au mieux ce produit, veuillez consulter notre guide d'entretien et de nettoyage, dans la rubrique d'aide sur le site Web d'Astro.

Um dieses Produkt im besten Zustand zu erhalten, beachten Sie bitte unseren Leitfaden zu Pflege und Reinigung im Abschnitt „Support“ auf der Astro-Website.

Per mantenere questo prodotto nelle sue migliori condizioni, consultare la nostra guida per la manutenzione e la pulizia nella sezione dedicata all'assistenza del sito Web Astro.



Please note that some dimensions may vary slightly due to manufacturing tolerances, this includes cable entry and fixing holes

Veuillez noter que certaines dimensions peuvent varier légèrement en raison des tolérances de fabrication, y compris l'entrée de câble et les trous de fixation.

Bitte beachten Sie, dass die Maße Fertigungstoleranzen unterliegen und daher in geringem Umfang von der angegebenen Größe abweichen können. Dies gilt auch für Kabeleingänge und Befestigungslöcher.

Si prega notare che possono esserci piccole variazioni in alcune dimensioni dovute alle tolleranze di produzione, queste includono l'ingresso del cavo e i fori di fissaggio.