

# KOS ROUND 100 LED

astro

## GENERAL

LOCATION:	Bathroom / Interior / Exterior
CLASS:	CE (Class II)
IP RATING:	IP65
BATHROOM ZONE:	Zone 1/2/3
VOLTAGE:	Mains 230V
INSTALLATION ORIENTATION:	Ceiling Mount
MAIN MATERIAL:	Metal -Aluminium
DIMENSIONS:	H:100mm Ø: 80mm
CUT OUT HOLE:	Not Applicable
RECESS DEPTH:	Not Applicable
FIRE RATING:	Not Applicable
CABLE LENGTH:	Not Applicable
GROSS WEIGHT:	0.477Kg

## LAMP

LIGHT SOURCE:	LED
MAXIMUM WATTAGE:	6.3W
LAMP INCLUDED:	Yes (Integral)
MAXIMUM LAMP LENGTH:	Not Applicable
LUMINOUS FLUX:	352.02lm
COLOUR TEMP:	3000K
CRI:	80
R9:	3.5
MACADAM ELLIPSE:	3-Step
TILT ADJUSTABLE ANGLE:	Not Applicable
ROTATION ADJUSTABLE ANGLE:	Not Applicable
AVERAGE LIFESPAN:	40,000hrs
L70:	To Be Advised
BEAM ANGLE:	To Be Advised

## ELECTRICAL

SWITCHED:	No
DIMMABLE:	Yes
DIMMING METHOD:	Phase - Leading & Trailing Edge
DRIVER INCLUDED:	Yes (Integral)
DRIVER OUTPUT CURRENT:	Not Applicable
DRIVER OUTPUT VOLTAGE:	Not Applicable
SUPPLY FREQUENCY:	50/60Hz
DRIVER / BALLAST VOLTAGE:	210-250V
DRIVER AVERAGE LIFESPAN:	50,000
EFFICACY:	55.79

## ADDITIONAL INFORMATION

SHADE INCLUDED:	Not Applicable
SHADE MATERIAL:	Not Applicable
F MARK:	Not Applicable



CODE: 1326023 (8517)  
FINISH: TEXTURED BLACK



CODE: 1326024 (8518)  
FINISH: TEXTURED GREY



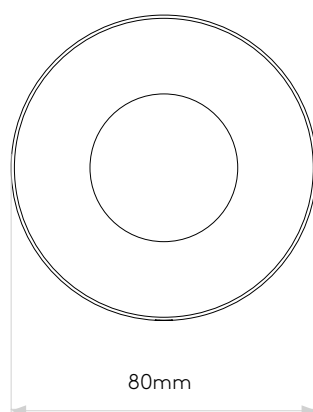
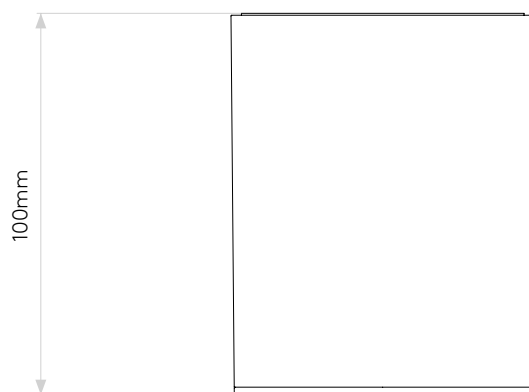
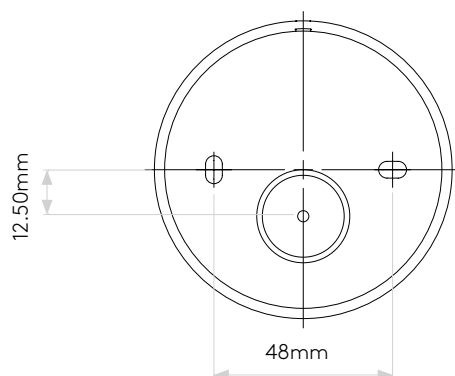
CODE: 1326025 (8519)  
FINISH: TEXTURED WHITE

TO MAINTAIN THIS PRODUCT TO ITS BEST CONDITION, PLEASE VIEW OUR CARE AND CLEANING GUIDE ON THE SUPPORT SECTION OF THE ASTRO WEBSITE.

Pour entretenir au mieux ce produit, veuillez consulter notre guide d'entretien et de nettoyage, dans la rubrique d'aide sur le site Web d'Astro.

Um dieses Produkt im besten Zustand zu erhalten, beachten Sie bitte unseren Leitfaden zu Pflege und Reinigung im Abschnitt „Support“ auf der Astro-Website.

Per mantenere questo prodotto nelle sue migliori condizioni, consultare la nostra guida per la manutenzione e la pulizia nella sezione dedicata all'assistenza del sito Web Astro.



Please note that some dimensions may vary slightly due to manufacturing tolerances, this includes cable entry and fixing holes

Veuillez noter que certaines dimensions peuvent varier légèrement en raison des tolérances de fabrication, y compris l'entrée de câble et les trous de fixation.

Bitte beachten Sie, dass die Maße Fertigungstoleranzen unterliegen und daher in geringem Umfang von der angegebenen Größe abweichen können. Dies gilt auch für Kabeleingänge und Befestigungslöcher.

Si prega notare che possono esserci piccole variazioni in alcune dimensioni dovute alle tolleranze di produzione, queste includono l'ingresso del cavo e i fori di fissaggio.